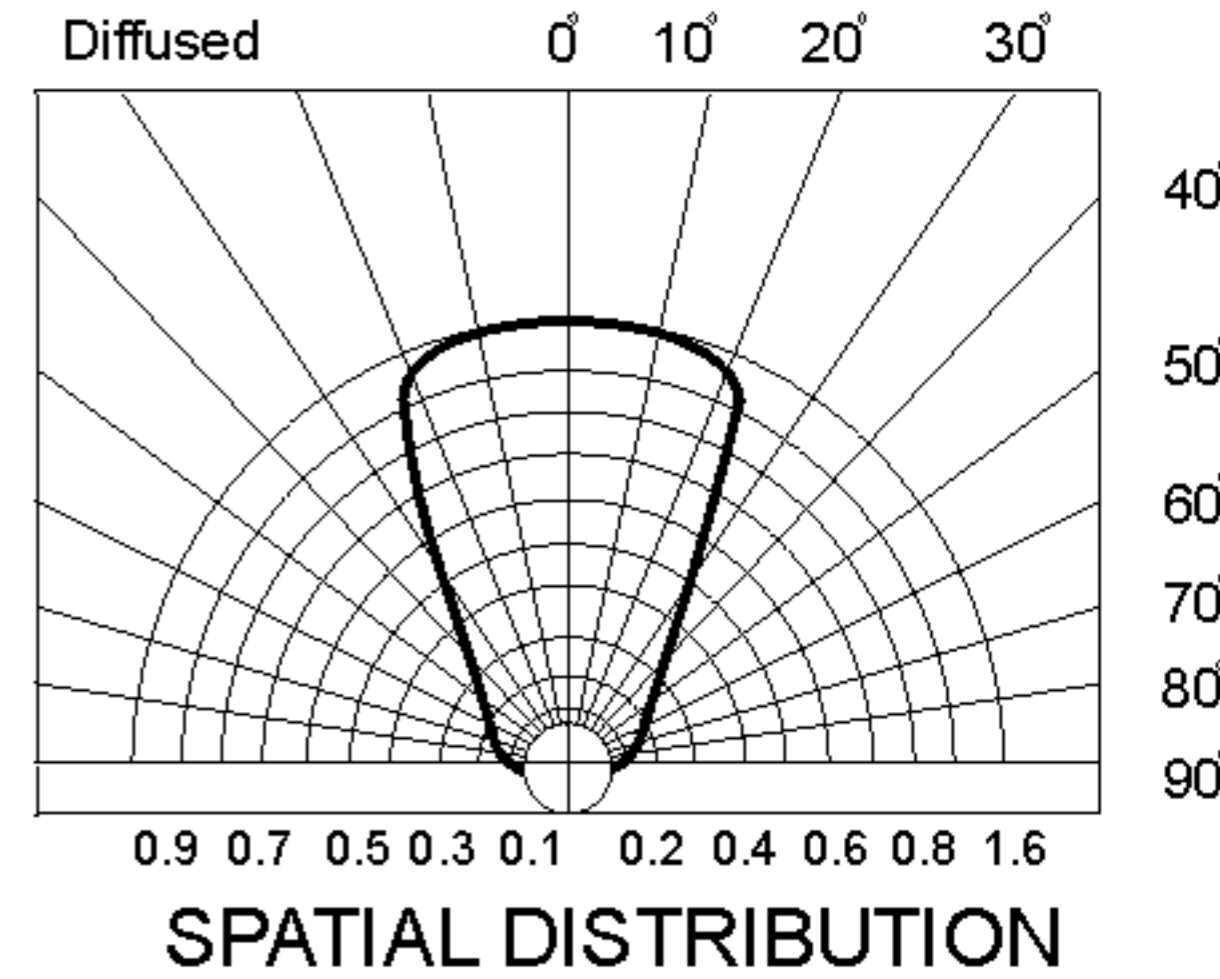
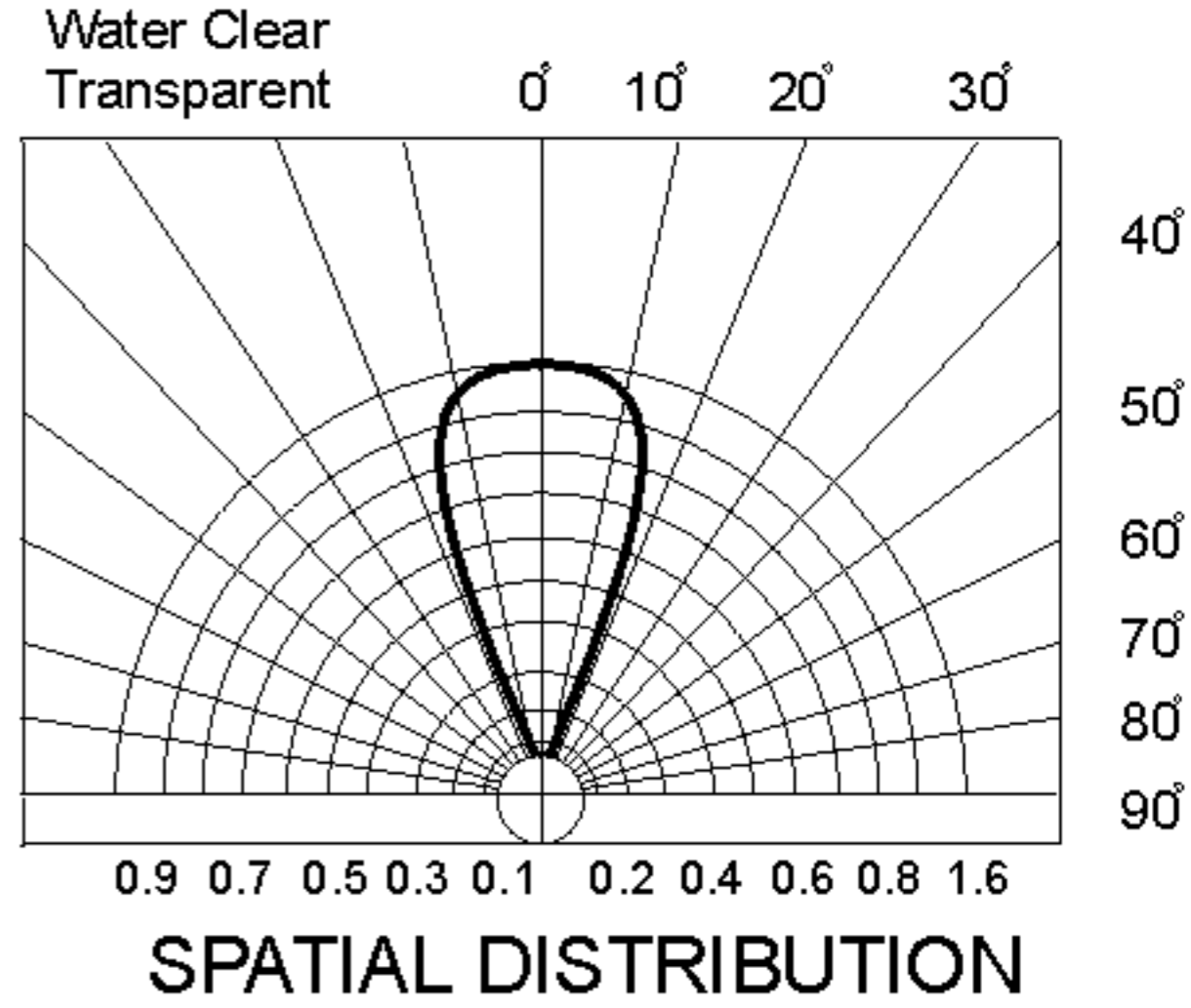
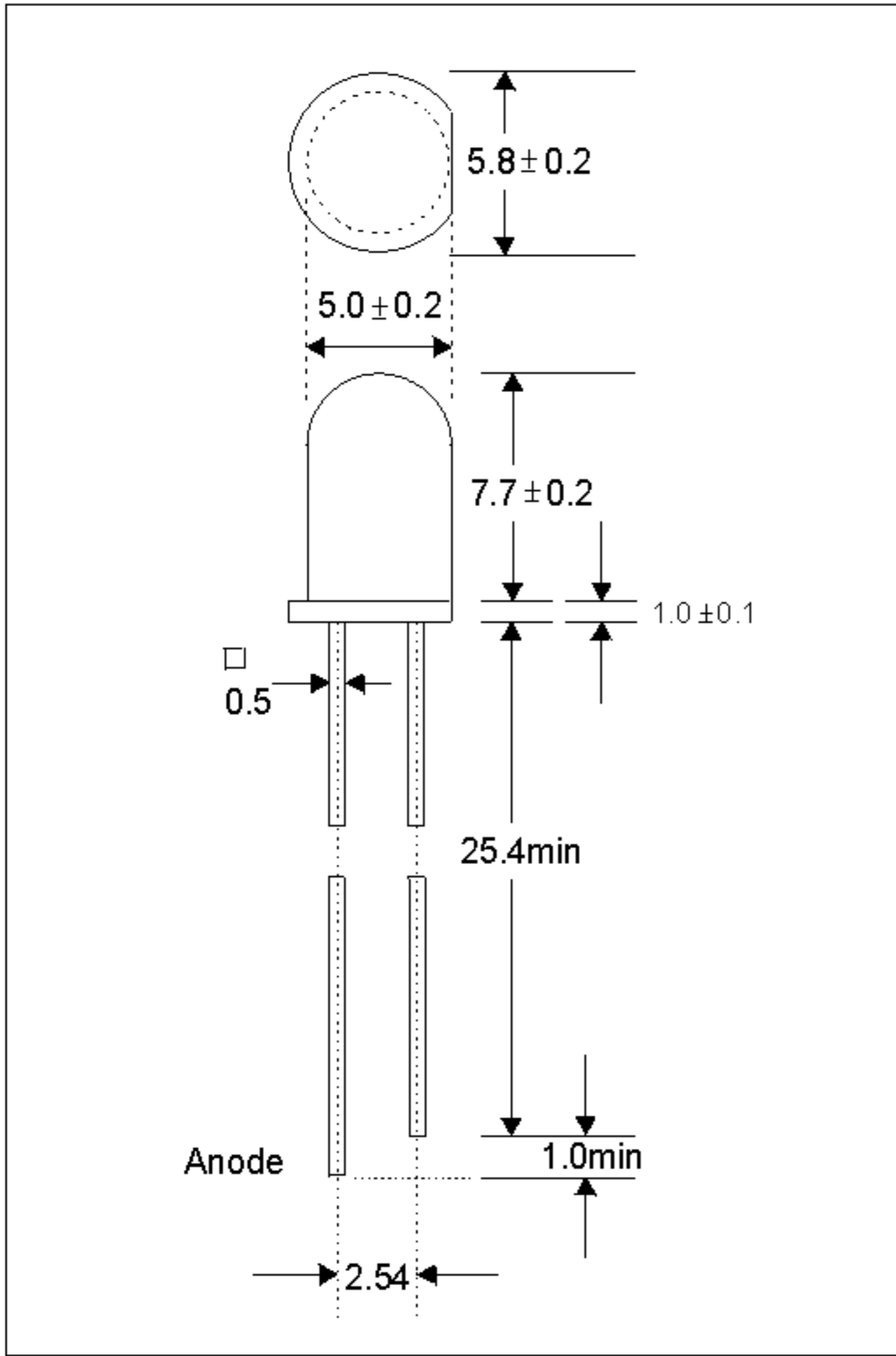


L-513XX SERIES

5mm, Round Type LED Lamp

PACKAGE DIMENSIONS(unit: mm)



ABSOLUTE MAXIMUM RATINGS:(Ta=25°C)

Reverse Voltage	: 5 Volt
Reverse Current(Vr=5V)	: 10uA
Operating Temperature Range	: -40°C to+85°C
Storage Temperature Range	: -40°C to+100°C
Lead Soldering Temperature	: 260°C for 5 Seconds

PART SELECTION AND APPLICATION INFORMATION(RATINGS AT 25°C AMBIENT)

PART NO.	CHIP			LENS COLOR	Absolute Maximum Ratings				Electrical-Optical Characteris						Viewing Angle (deg)
	Material	PEAK WAVE Lenght λ_p (nm)	Emitting Color		$\Delta \lambda$ (nm)	pd (nW)	IF (mA)	Peak if(mA)	VF(V)			Rec if(mA)	Iv(mcd)		
									Min.	Typ.	Max.	Max.	Min.	Typ.	
513HD (5132D)	GaP	697	Red	90	45	15	50	1.7	2.3	2.8	20	2.5	4.5	60	