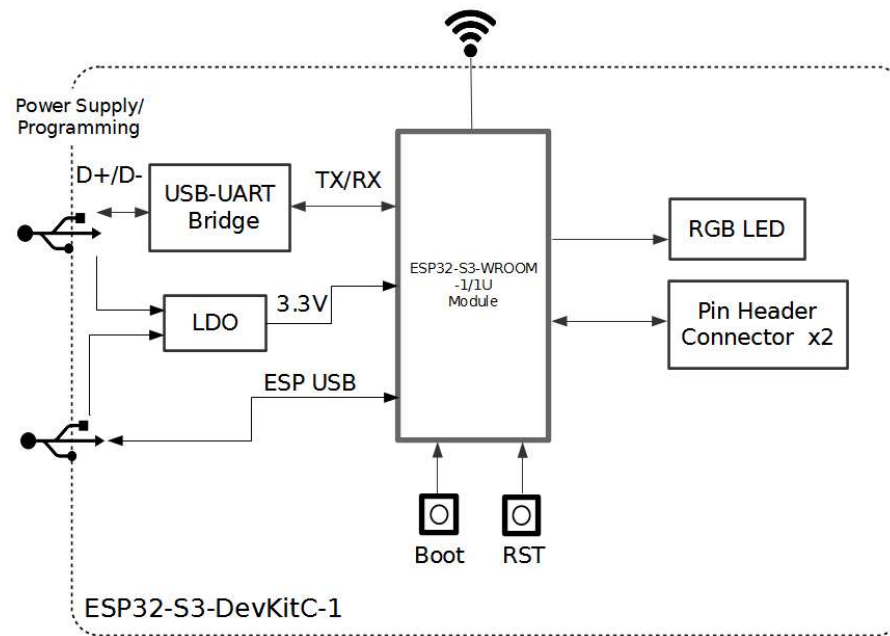
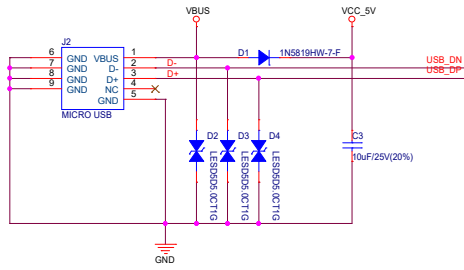


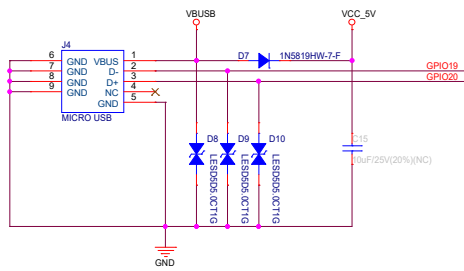
## System Block:



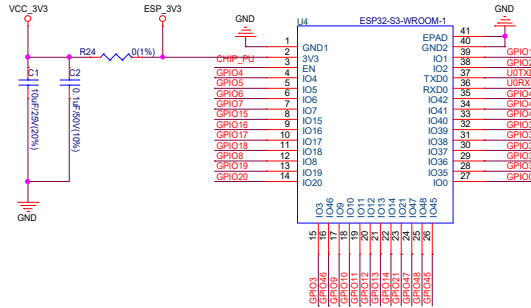
### USB1: to UART Bridge



### USB2: to ESP32 directly



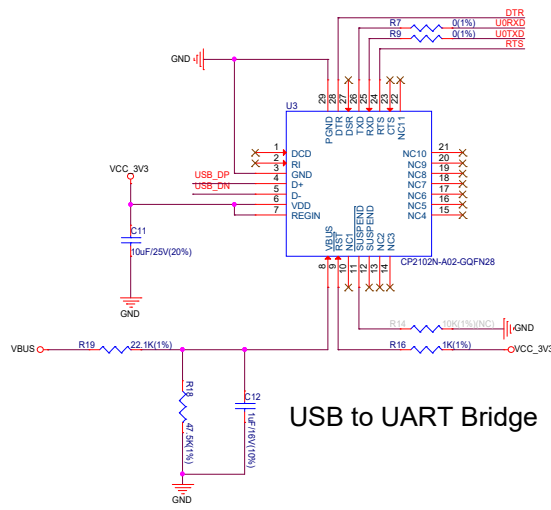
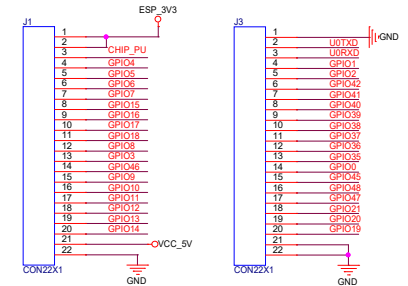
### ESP32-S3-WROOM-1 Module



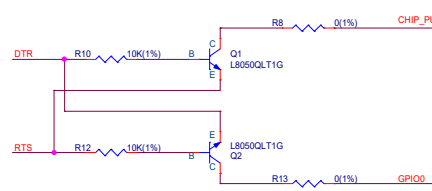
RC circuit for delayed enable of the MC



### Pin Headers / Connectors

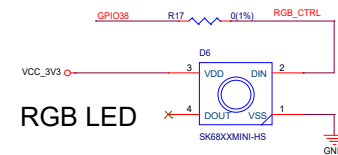


### USB to UART Bridge



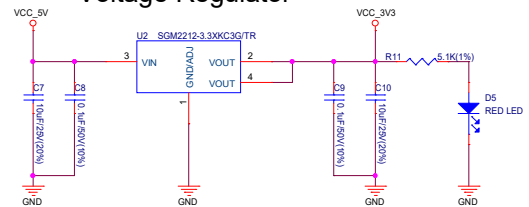
### Auto Program Logic

DTR	RTS	→EN	IO0	IO2
1	1	1	1	1
0	0	1	1	1
1	0	0	1	1
0	1	1	0	0

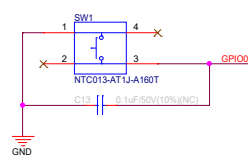


### RGB LED

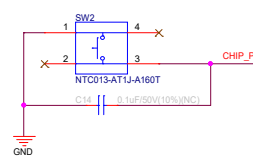
### Voltage Regulator



### General Purpose Switch



### Reset Switch



### ESPRESSIF

乐鑫信息科技(上海)股份有限公司

Title	Document Number	Rev
ESP32-S3-DevKitC-1	02_ESP32-S3-DevKitC-1	V1.1
Date:	Wednesday, April 13, 2022	Sheet 2 of 2